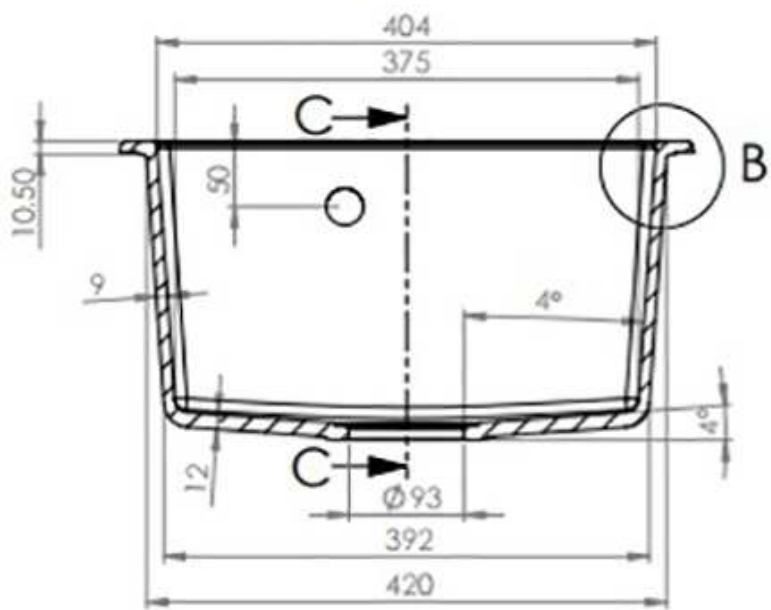
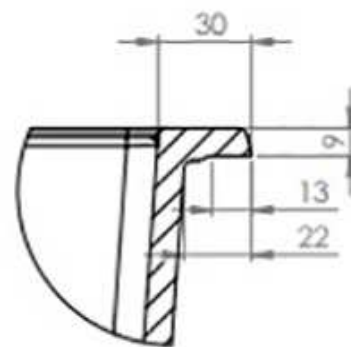
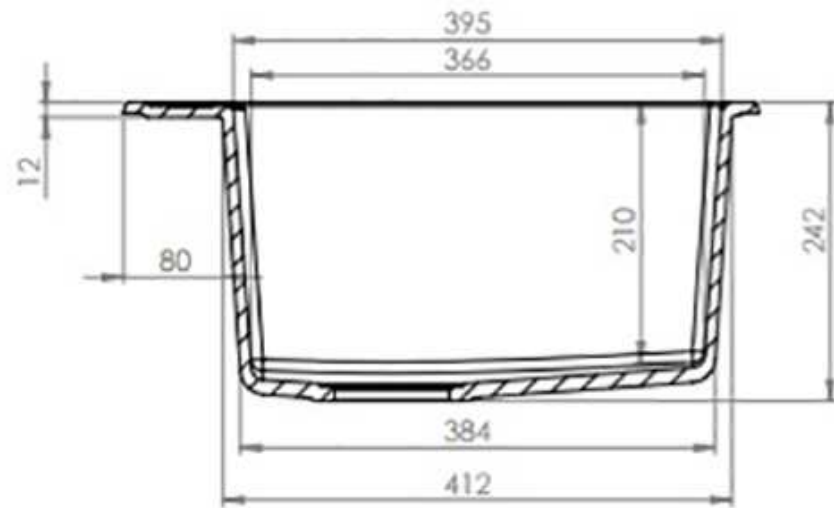


SECTION A-A



SECTION C-C



DETAIL B
SCALE 1 : 2

