

CERTIFICAT DE GARANȚIE WARRANTY CERTIFICATE

RO

GB

DENUMIRE PRODUS

PRODUCT NAME

COD PRODUS

PRODUCT CODE

CANTITATE

QUANTITY

FACTURĂ (BON FISCAL) NR

INVOICE (tax receipt) N°

DATA

DATE

CUMPĂRĂTOR

BUYER

ADRESĂ CUMPĂRĂTOR

BUYER ADDRESS

DISTRIBUTOR/VÂNZĂTOR
DISTRIBUTOR / SELLER

CUMPĂRĂTOR
BUYER

KLAUSEN[®]
for a bright life

Importator & distribuitor: SC KLAUSEN EXIM SRL,
Cluj-Napoca, Strada Colinei, Nr. 2, Complex Via Office,
Scara 2, Etaj 4, județul Cluj, România.
Tel: 0372 721111, 0372 721112
Fax: 0264 266 673

I. Termen de garanție: 24 luni 60 luni

II. Durata medie de viață: 10 ani

III. În conformitate cu prevederile legale: OUG 140/2021, OUG 34/2014, Ordinul 72/2010, garantăm calitatea produselor livrate, pe durata prevăzută la punctul I, cu condiția ca beneficiarul produselor să respecte instrucțiunile de montaj, transport și depozitare.

Menționăm că durata medie de viață și perioada de garanție a produselor nu se referă la sursele de lumină (becuri).

Culoarea corpului de iluminat sau a abajurului acestuia poate suferi modificări datorită acțiunii razelor UV.

Aparatul corespunde normelor de protecție și calitate în vigoare.

Pentru a beneficia de garanție, consumatorul se va prezenta la magazinul de la care a achiziționat produsul cu bonul de casă sau factura, unde se va consemna defecțiunea și în termen de 15 zile calendaristice, se va soluționa cazul prin reparație, înlocuire sau restituirea contravalorii produsului respectiv, în mod gratuit.

Reparațiile se vor realiza la sediul SC KLAUSEN EXIM SRL, din comuna Gilău, ferma 7, hala 11, jud. Cluj, România.

IV. Condiții de garanție

1. Termenul de garanție începe de la data vânzării produsului. Acest termen se prelungește cu perioadele necesare reparării produsului, în perioada de garanție.
2. Cumpărătorul are obligația de a respecta strict instrucțiunile de montaj și întreținere.

3. Produsul nu trebuie să prezinte deteriorări mecanice, sau de orice altă natură, datorate utilizării incorecte.

4. Utilizarea necorespunzătoare duce la pierderea garanției și producătorul nu își va asuma răspunderea în cazul unor accidente:

- Alimentarea la o sursă necorespunzătoare de curent
- Folosirea altor surse de lumină decât cele recomandate de producător
- Manipularea greșită a produsului.

5. Garanția se acordă numai dacă produsul este însoțit de certificatul de garanție și factură fiscală/bon fiscal de cumpărare, ambele în original!

6. S-a predat produsul în perfectă stare de funcționare, s-au predat instrucțiunile de montaj și întreținere în limba română și s-au adus la cunoștință condițiile de acordare/pierdere a garanției.

7. Orice modificare asupra produsului duce la pierderea garanției. Certificatul de garanție este valabil pentru toate produsele comercializate de SC KLAUSEN EXIM SRL.

8. Abajurul corpului de iluminat nu face obiectul garanției. Defectele estetice ale abajurului (zgârieturi, lovituri, spargere etc) apărute ulterior cumpărării, precum și elementele consumabile (ex: bateriile) nu fac obiectul garanției.

I. Warranty: 24 months 60 months

II. Average lifespan: 10 years

III. According to the legislation in force: OUG 140/2021, OUG 34/2014, Order 72/2010, we hereby guarantee the quality of the goods, for the duration stated at paragraph I, provided that the customer follows the mounting, transportation, storage.

We state that the average lifespan and warranty do not cover the product's light sources (bulbs).

The lamp or the lampshade may suffer colour changes due to UV rays.

The lamp meets the protection and quality requirements in force.

In order to claim the warranty, the user will bring the product to the store where it was purchased, together with the original invoice and/or receipt; the malfunction will be recorded and the case solved within 15 days, by repairing, replacement or restitution of the purchase price, free of charge.

The repairs will be executed at SC KLAUSEN EXIM SRL headquarters, in Gilău, Farm 7, warehouse 11, Cluj county, Romania.

IV. Warranty terms

1. The warranty period begins on the date of the sale. This term will be extended by the number of days required for repairing the product within the warranty period.

2. The buyer must follow the assembly and maintenance instructions.

3. The product must not present any mechanical or any other damages caused by incorrect use.

4. Inadequate usage of the product voids the warranty and the producer is not responsible for accidents:

- Improper power supply
- Use of other light sources than those indicated by the producer
- Wrong handling of the products.

5. The warranty is granted only if accompanied by the warranty certificate and the original purchase documents (invoice/receipt).

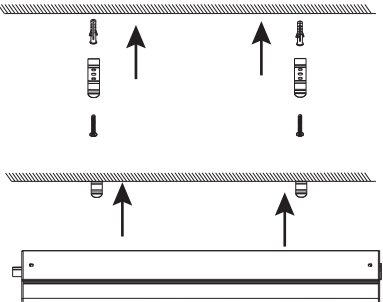
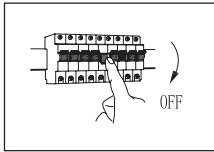
6. Upon delivery, the product was completely functional; assembly and maintenance instructions in Romanian were issued to the customers. The client was notified regarding the granting and cancelation of warranty.

7. Any change brought to the product leads to loss of warranty. The warrantee certificate is valid for all the products sold by SC KLAUSEN EXIM SRL.

8. The lampshade is not covered by the warranty. Aesthetic flaws to the lampshade (scratches, bumps, cracks etc) that occur after purchase, as well as consumables (e.g. batteries) are not covered by the warranty.

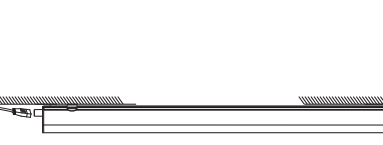
Data intrării în reparație Date entry into repair	Defecțiune Defection	Reparație efectuată Repair of	Data ieșirii din service Date of exit from service	Nr. zile de prelungire garanție N° day warranty extension	Semnătură reprezentant service Signature service represen	Semnătură client Customer signature

Shadowless Linkable Batten Light

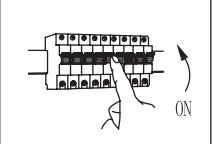
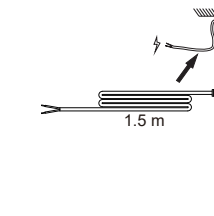


Note :
Please note that the lamp does not include the power cable and the hanging installation accessories. These are optional accessories. Please but separately if you need to do the hanging installation.

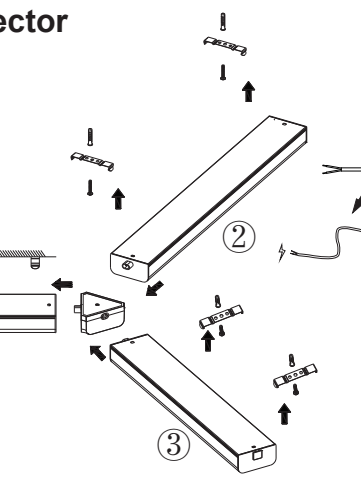
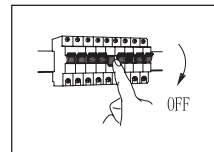
1. Fix the brackets with the surface mounted accessories on the ceiling



2. Push the lamp into the brackets and connect the power cord . The installation is completed .

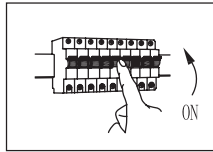


Triangle Connector

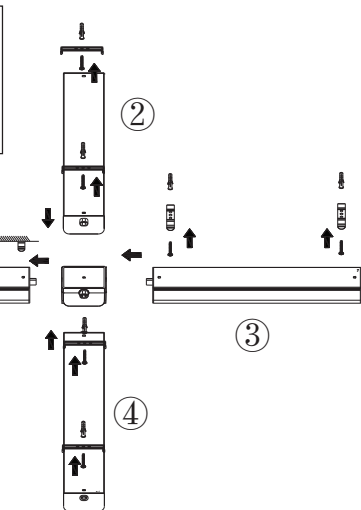
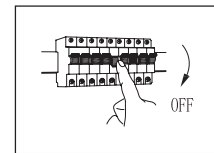


Note :
Please note that the lamp does not include the power cable and the hanging installation accessories. These are optional accessories. Please but separately if you need to do the hanging installation.

1. Install one of the lamps
2. Connect the Triangle Connector to the lamp.
3. Connect the rest lamps by the Triangle Connector .
4. Connect the last product to the power cord to complete the installation.

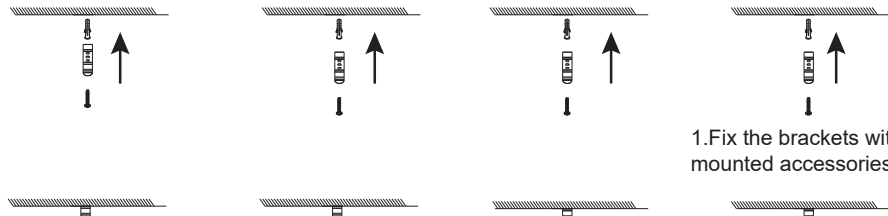
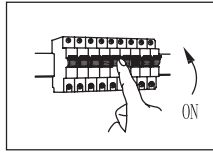


Square Connector

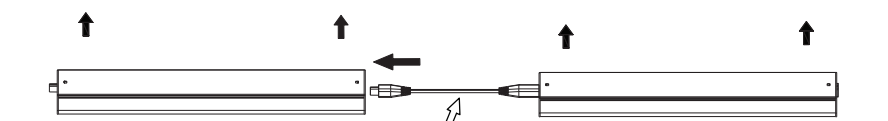


Note :
Please note that the lamp does not include the power cable and the hanging installation accessories. These are optional accessories. Please but separately if you need to do the hanging installation.

1. Install one of the lamps
2. Connect the Square Connector to the lamp.
3. Connect the rest lamps by the Square Connector .
4. Connect the last product to the power cord to complete the installation.

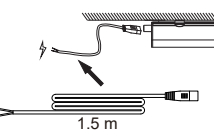


1. Fix the brackets with the surface mounted accessories on the ceiling

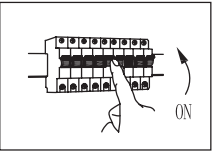


It can be connected via the double cables or square adapters.

2. link the lamps by the wire with connectors



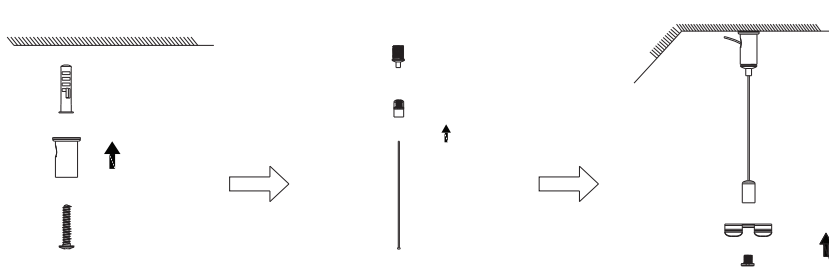
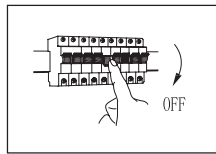
3. Push the lamp into the brackets and connect the power cord . The installation is completed .



Note :
Please note that the lamp does not include the power cable and the hanging installation accessories. These are optional accessories. Please but separately if you need to do the hanging installation.

Wattage	12W
Maximum no. of connections HEXA GLOW	28pcs

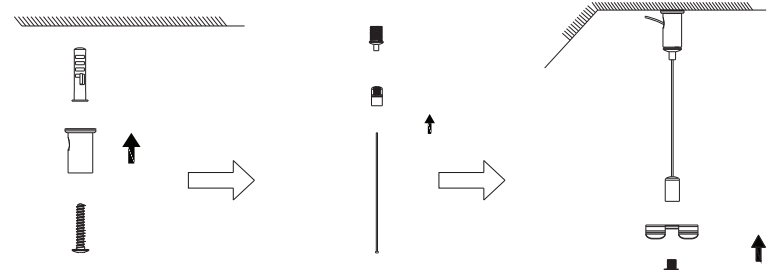
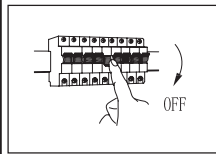
Shadowless Linkable Batten Light



Step 1.
Fix the self-locking parts to the ceiling .

Step 2.
Pass the rope through the hanging hammer and the self-locking sub-piece in sequence

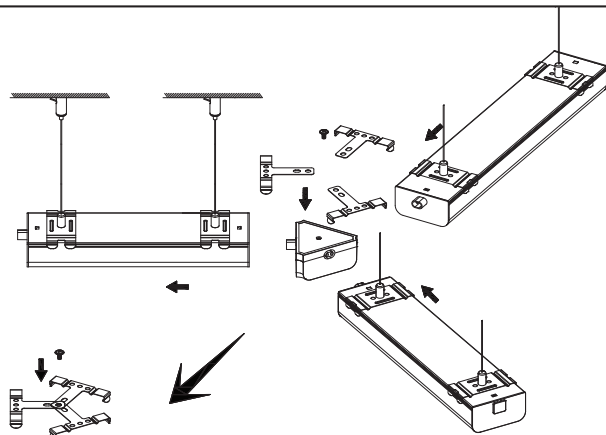
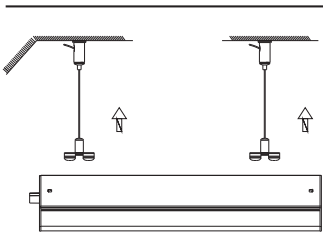
Step 3.
Fix the bracket by the screws to the hanging hammer.



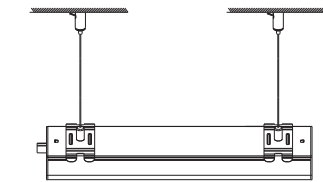
Step 1.
Fix the self-locking parts to the ceiling .

Step 2.
Pass the rope through the hanging hammer and the self-locking sub-piece in sequence

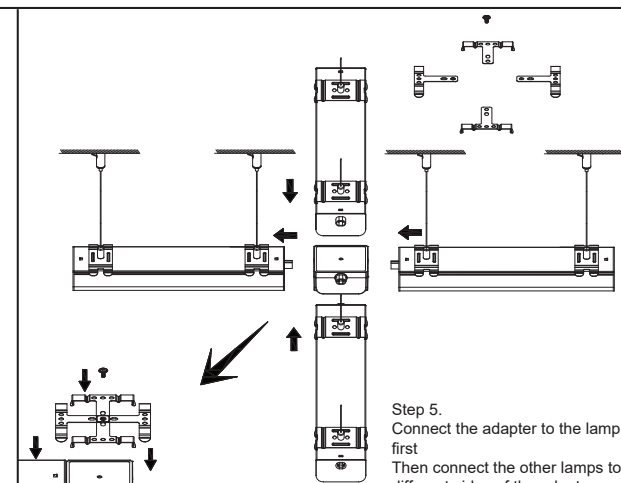
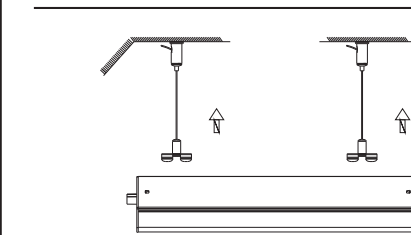
Step 3.
Fix the bracket by the screws to the hanging hammer.



Step 5.
Connect the adapter to the lamp first
Then connect the other lamps to different sides of the adapter.
Then install the T-shape bracket at the connection position.
Then fix the T-shape bracket by screws.



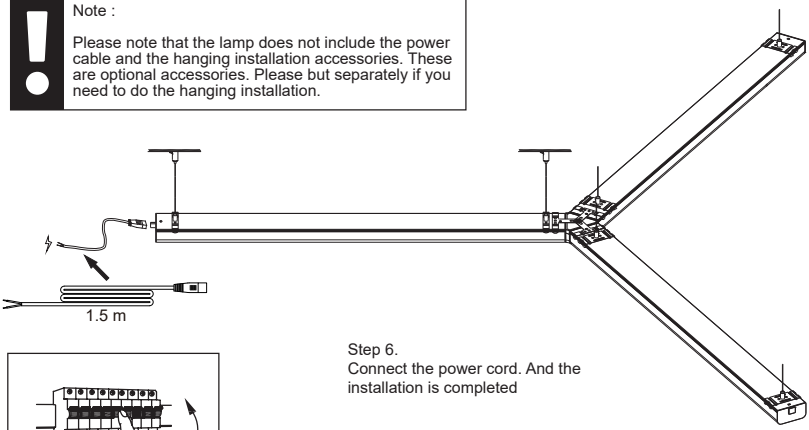
Step 4.
Push the lamp into the brackets and connect the power cord .



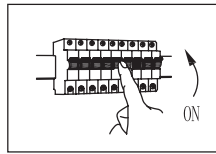
Step 5.
Connect the adapter to the lamp first
Then connect the other lamps to different sides of the adapter.
Then install the T-shape bracket at the connection position.
Then fix the T-shape bracket by screws.

Step 4.
Push the lamp into the brackets and connect the power cord .

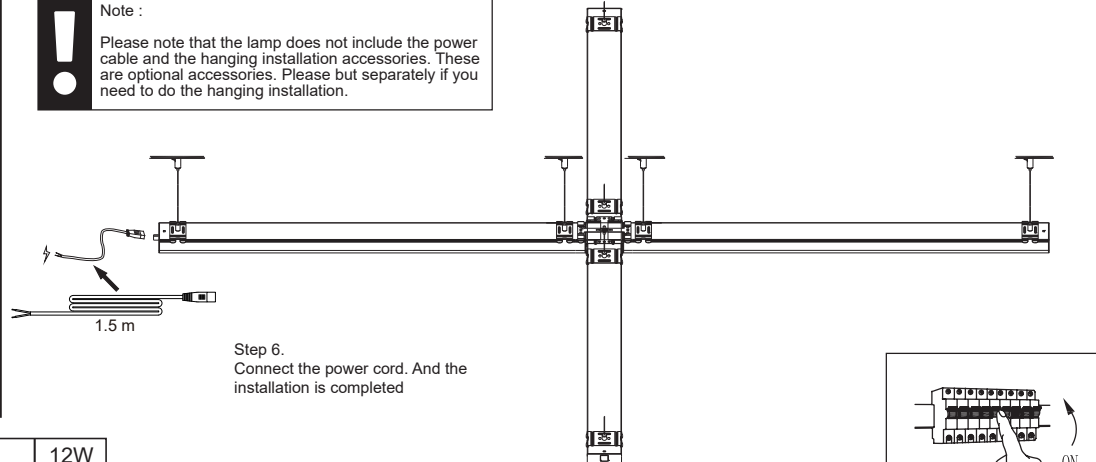
Note :
Please note that the lamp does not include the power cable and the hanging installation accessories. These are optional accessories. Please but separately if you need to do the hanging installation.



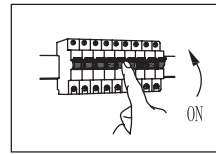
Step 6.
Connect the power cord. And the installation is completed



Note :
Please note that the lamp does not include the power cable and the hanging installation accessories. These are optional accessories. Please but separately if you need to do the hanging installation.



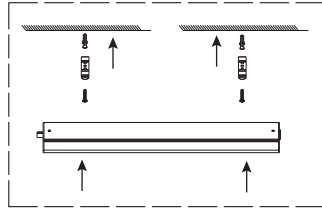
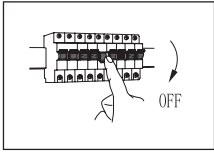
Step 6.
Connect the power cord. And the installation is completed



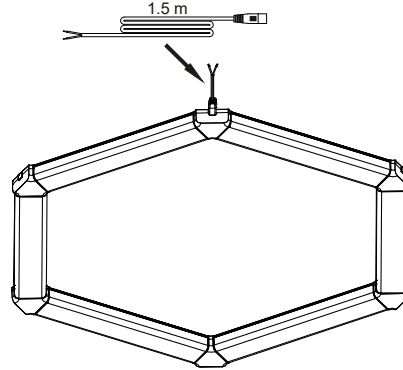
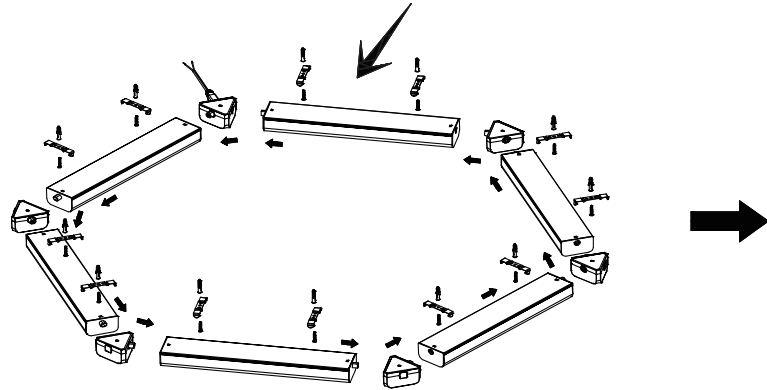
Wattage	12W
Maximum no. of connections	28pcs

Shadowless Linkable Batten Light

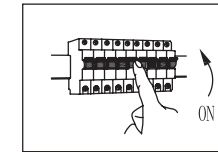
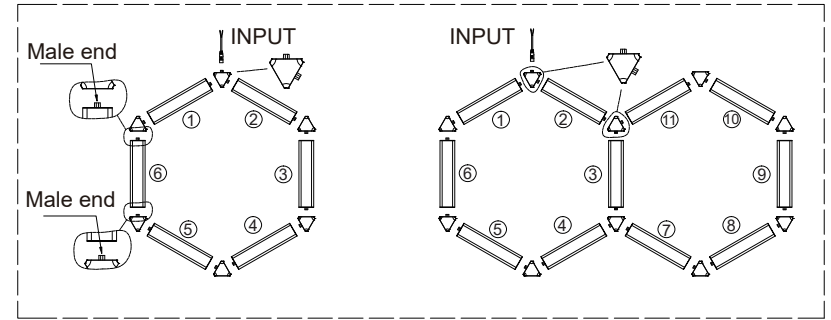
Hexagonal Surface



Note :
Please note that the lamp does not include the power cable and the hanging installation accessories. These are optional accessories. Please buy separately if you need to do the hanging installation.

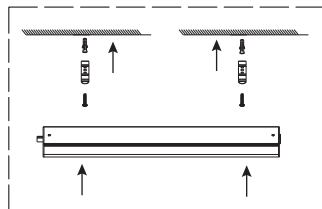
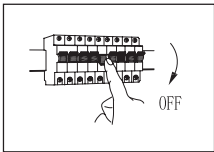


Wattage	12W
Maximum number of connections	28

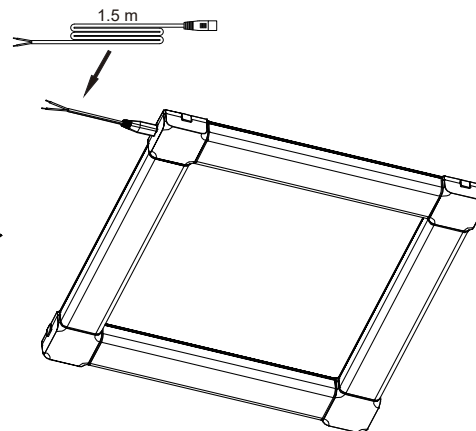
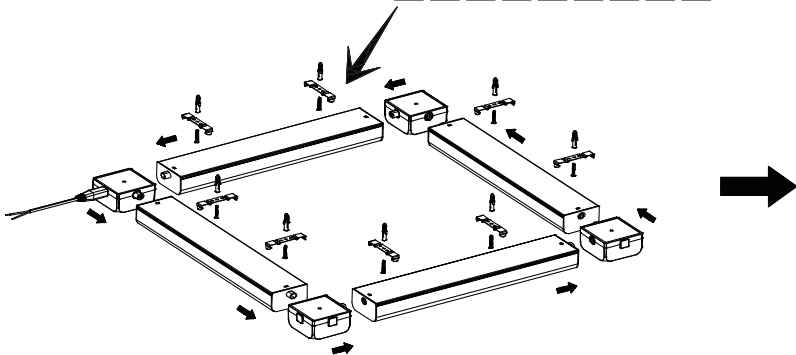


1. Install one of the lamps
2. Connect the Triangle Connector to the lamp.
3. Connect the rest lamps by the Triangle Connector .
4. Connect the last product to the power cord to complete the installation.

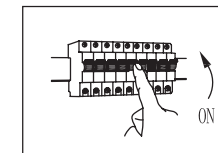
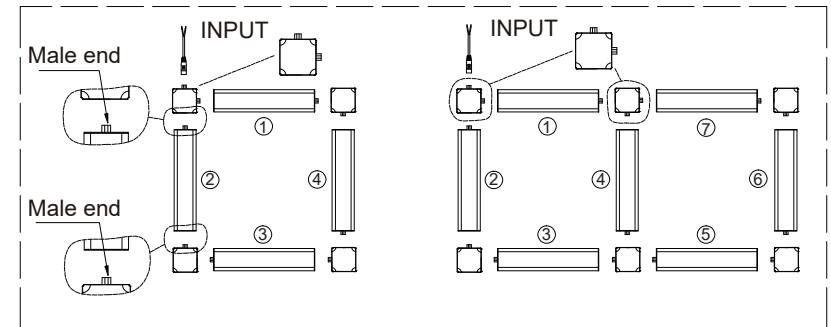
Quadrangle Surface



Note :
Please note that the lamp does not include the power cable and the hanging installation accessories. These are optional accessories. Please buy separately if you need to do the hanging installation.

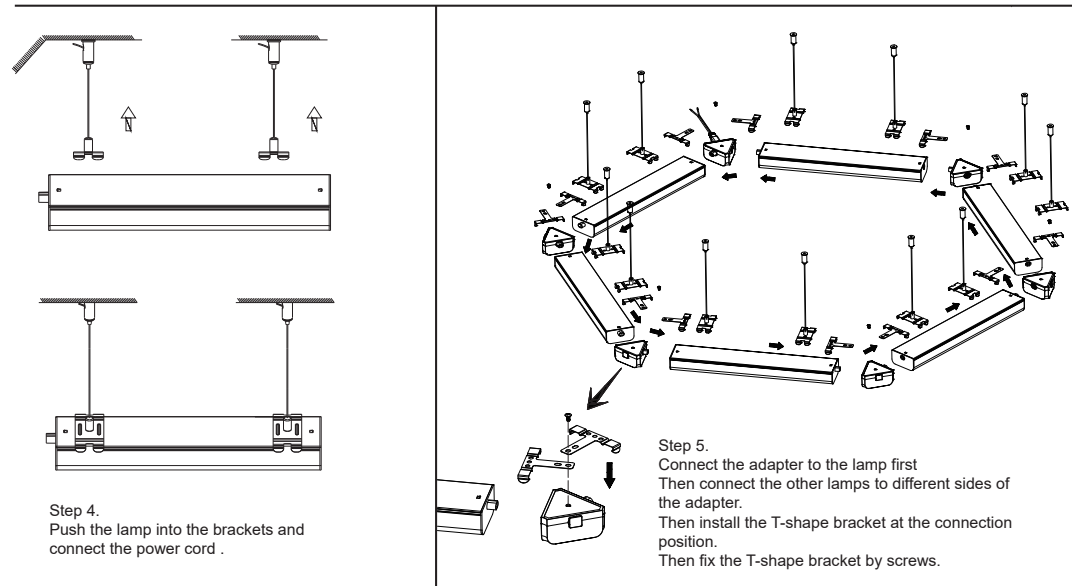
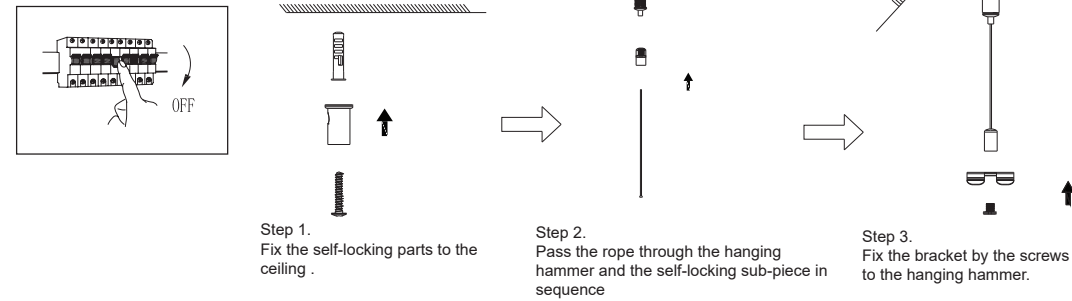


Wattage	12W
Maximum no. of connections HEXA GLOW	28pcs

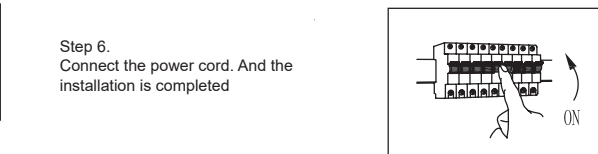


1. Install one of the lamps
2. Connect the Square Connector to the lamp.
3. Connect the rest lamps by the Square Connector .
4. Connect the last product to the power cord to complete the installation.

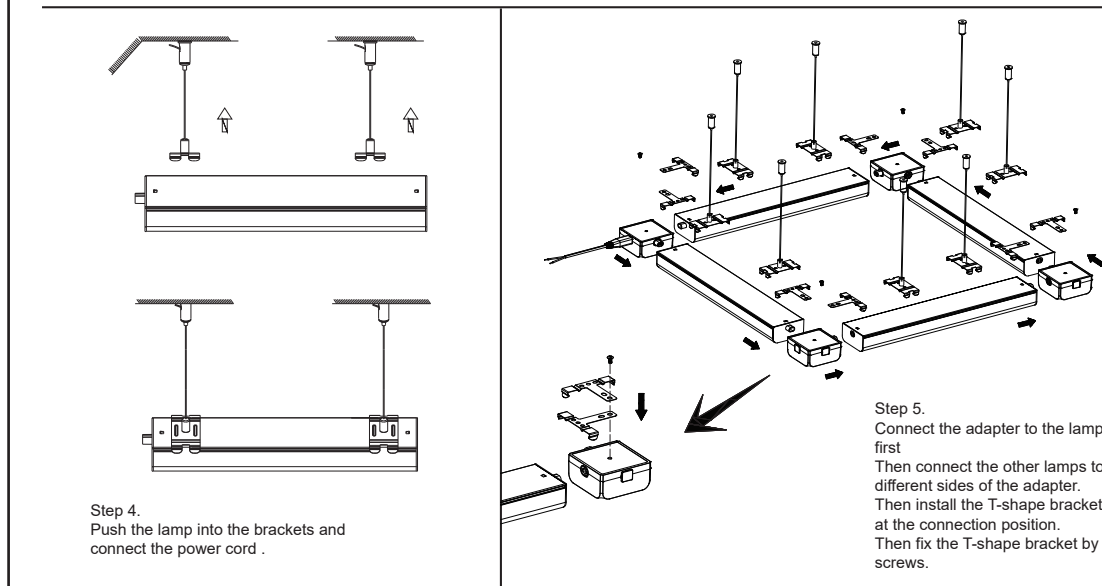
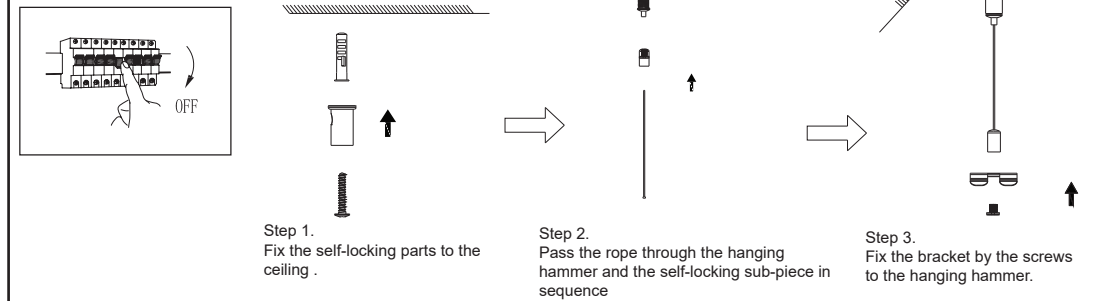
Hexagonal Suspending



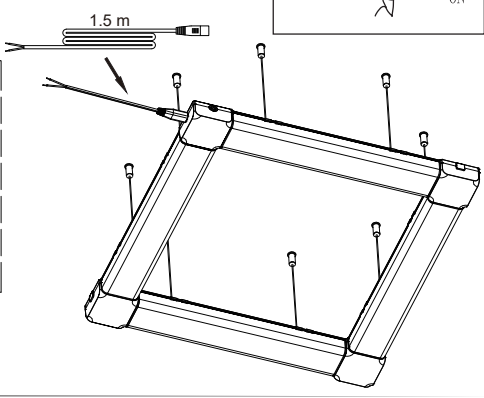
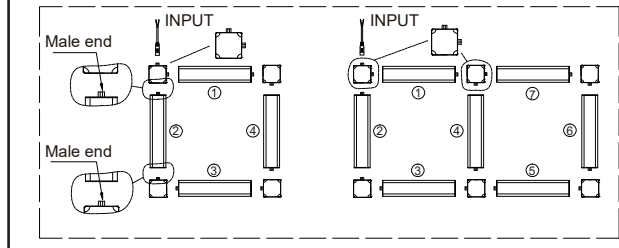
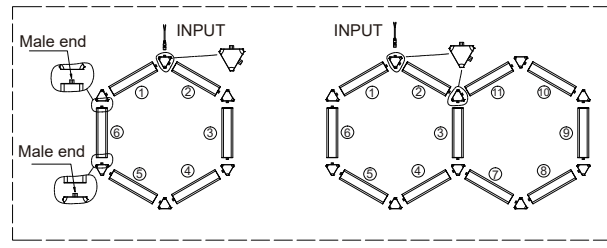
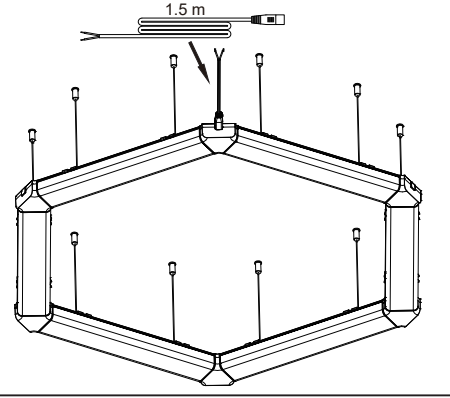
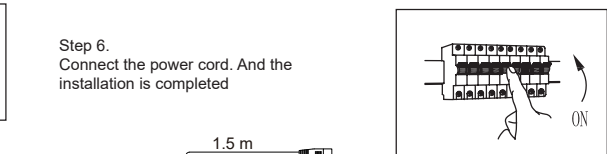
Note :
Please note that the lamp does not include the power cable and the hanging installation accessories. These are optional accessories. Please but separately if you need to do the hanging installation.



Quadrangle Suspending



Note :
Please note that the lamp does not include the power cable and the hanging installation accessories. These are optional accessories. Please but separately if you need to do the hanging installation.



Wattage	12W
Maximum no. of connections HEXA GLOW	28pcs