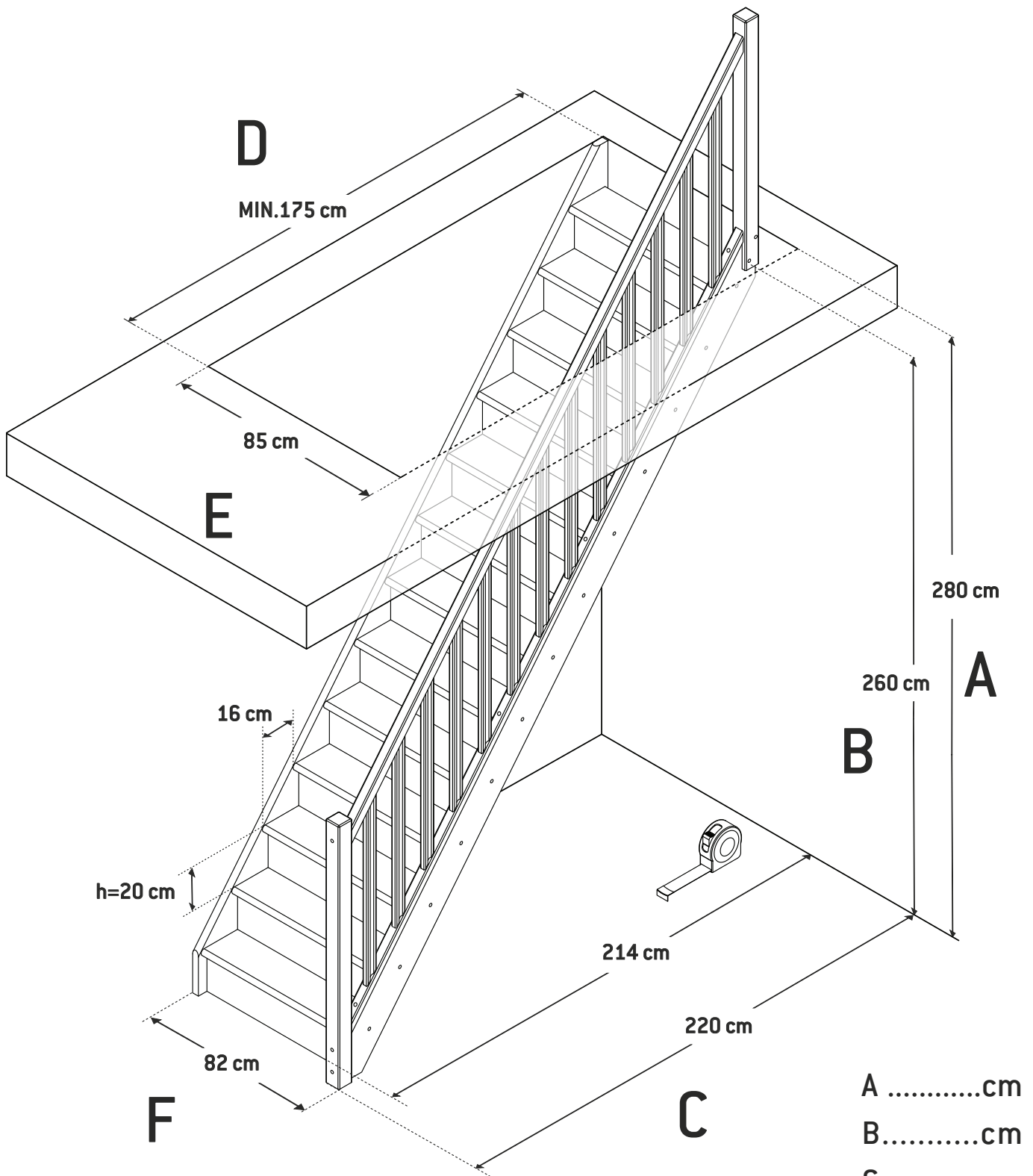


# TRADI ECO

ESCALIER | **LADDER** | STAIRCASE | **WANGENSPARTREPPE**  
ESCALERA | **ESCADA** | ESCALA | **SCARĂ**



- A .....cm
- B.....cm
- C .....cm
- D .....cm
- E .....cm
- F .....cm





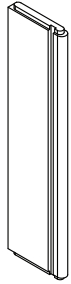

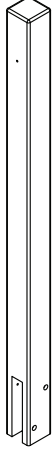
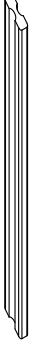
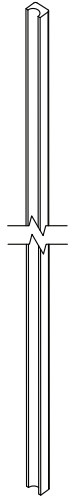
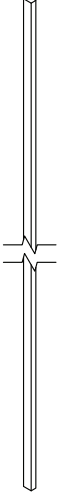
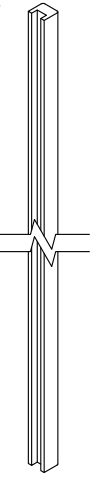









**Gain de place**  
*Ruimtebesparende*  
**Space saving**  
 51,34°

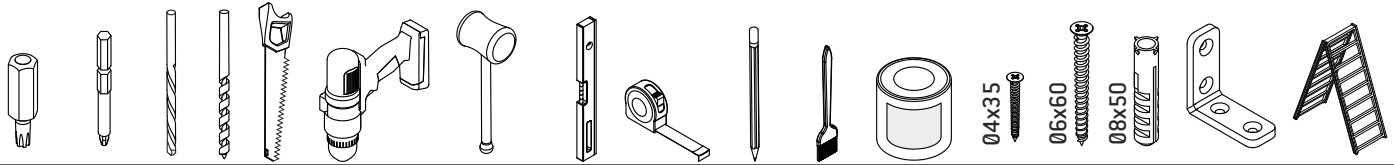


**Hauteur**  
*Hoogte*  
**Height**  
 95 cm

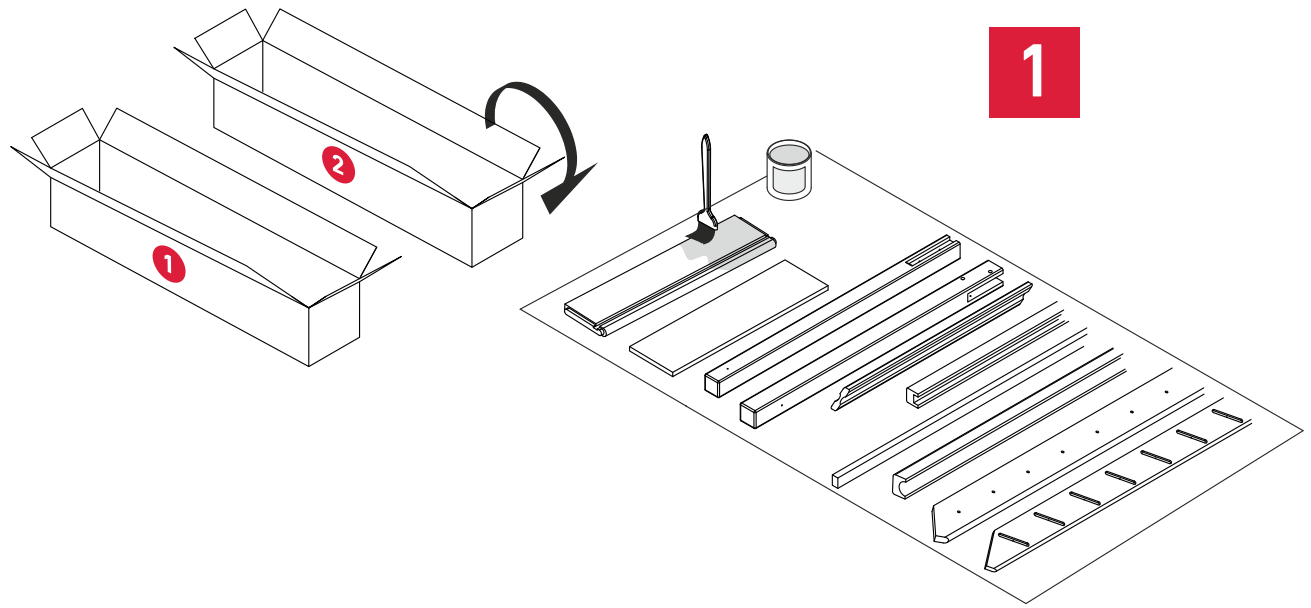


**Espace, balustres**  
*Ruimte, balusters*  
**Space, balusters**  
 10 cm

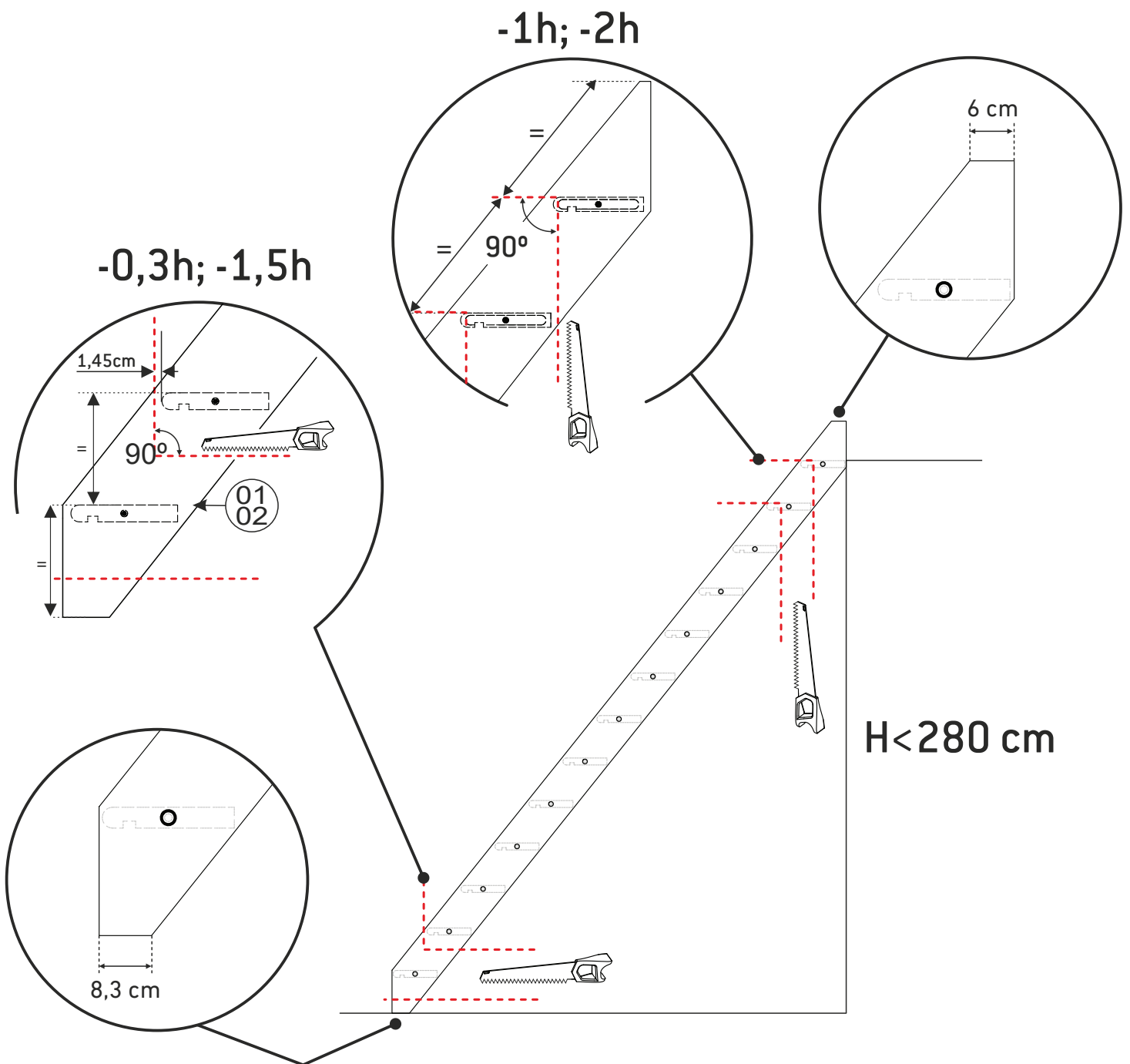
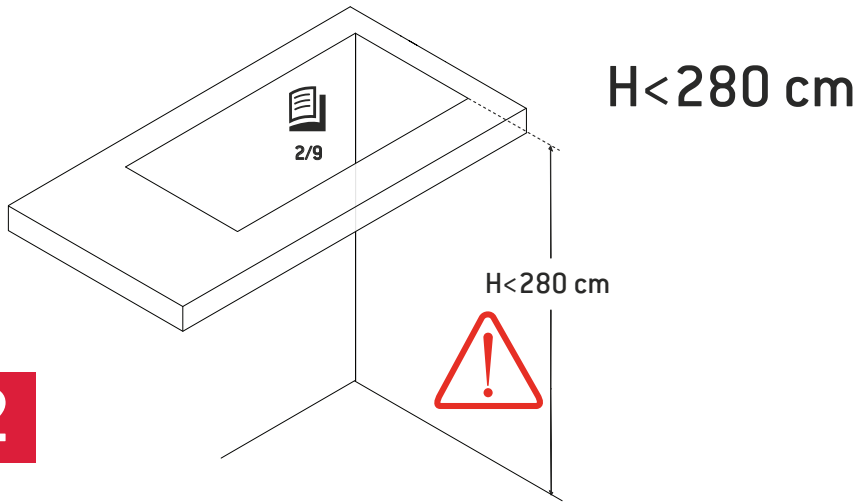
01 30x190x3523 x1 	02 30x190x3523 x1 	03 30x190x762 x13 	04 70x70x1190 x1 	05 70x70x1125 x1 	06 25x50x874,4 x13 	07 30x42x3375 x1 	08 16x26x3375 x1 	09 42x45x3375 x1 
10 18x209x760 x13 	11 16x25x182 x2 160,7 mm 	12 Ø12x5 x38 	13 Ø4x35 x12 	14 Ø4x40 x104 	15 Ø5x50 x30 +1 	16 Ø5x60 x4 	 	



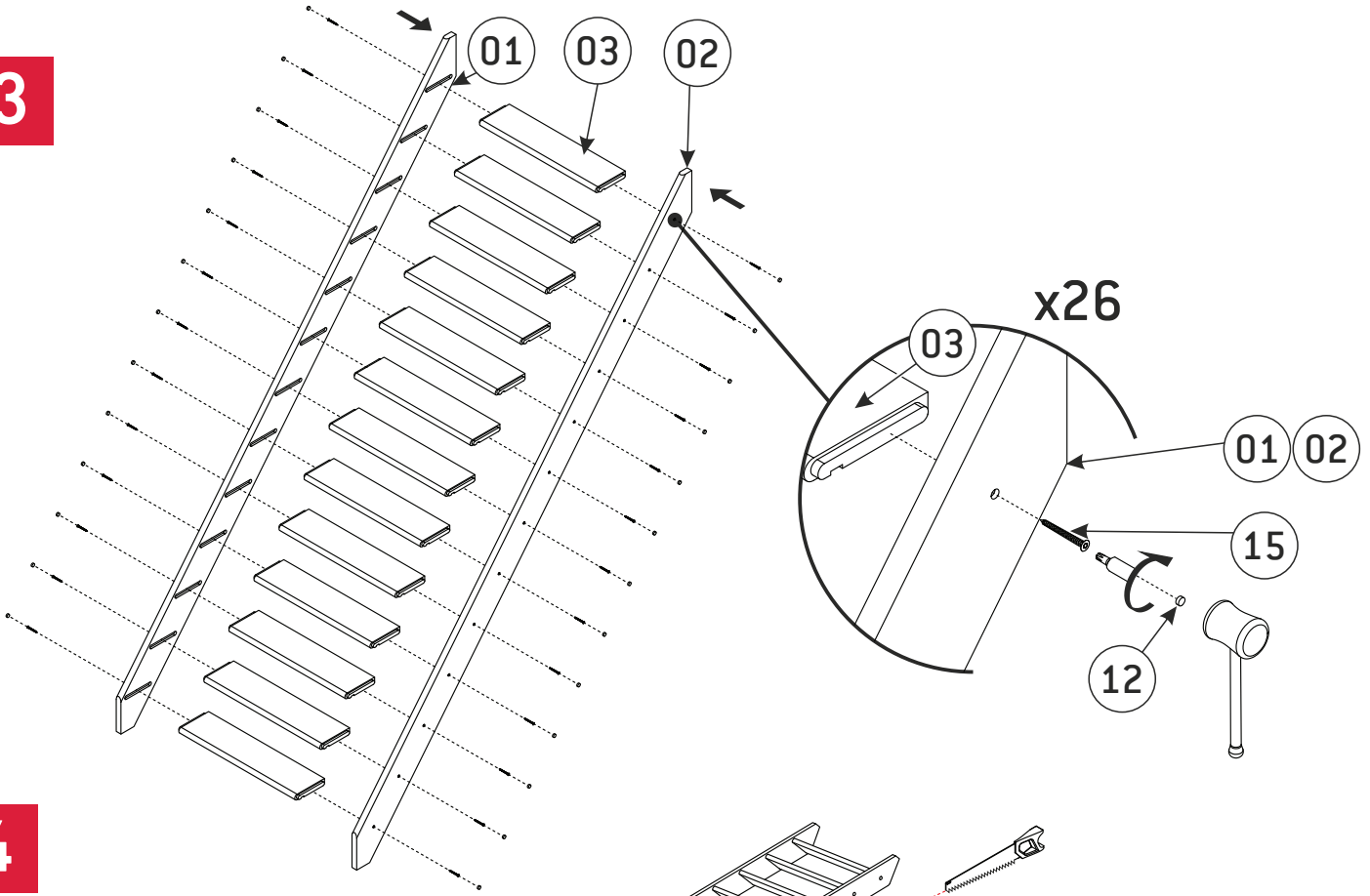
Tx10-30 Ph2/3 Ø10 Ø4  
Pz2/3 Ø8 Ø12



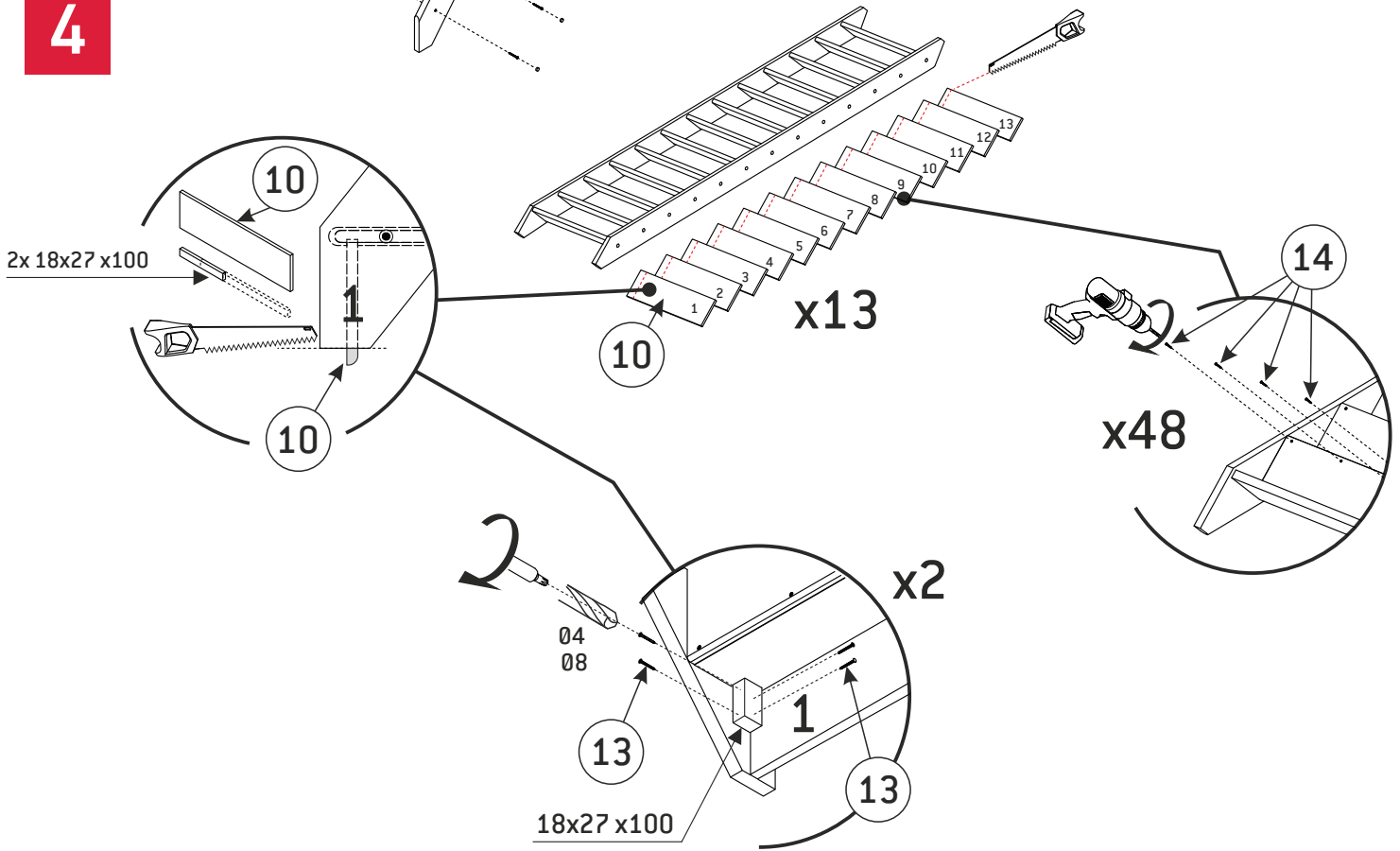
**2**



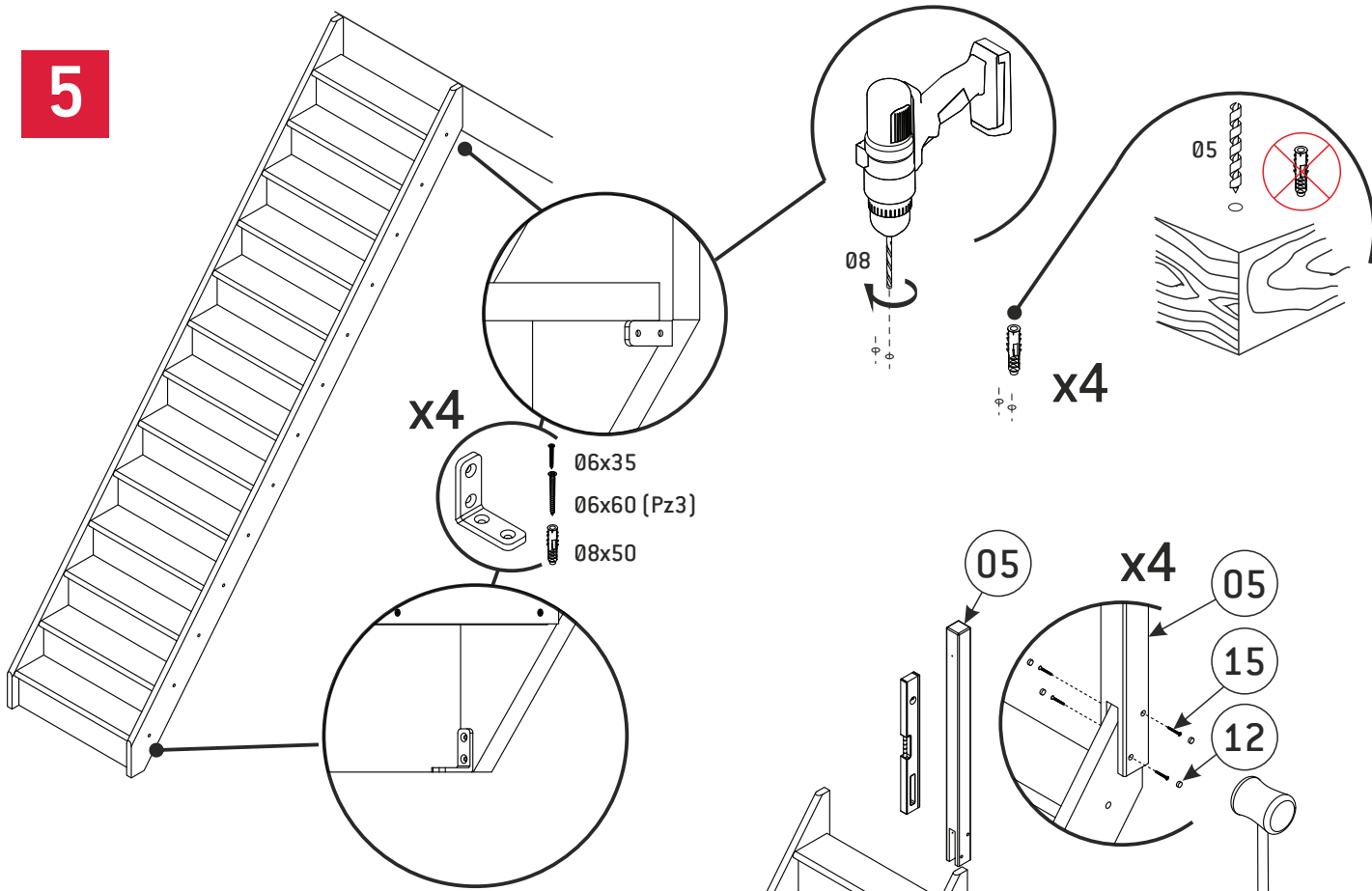
**3**



**4**

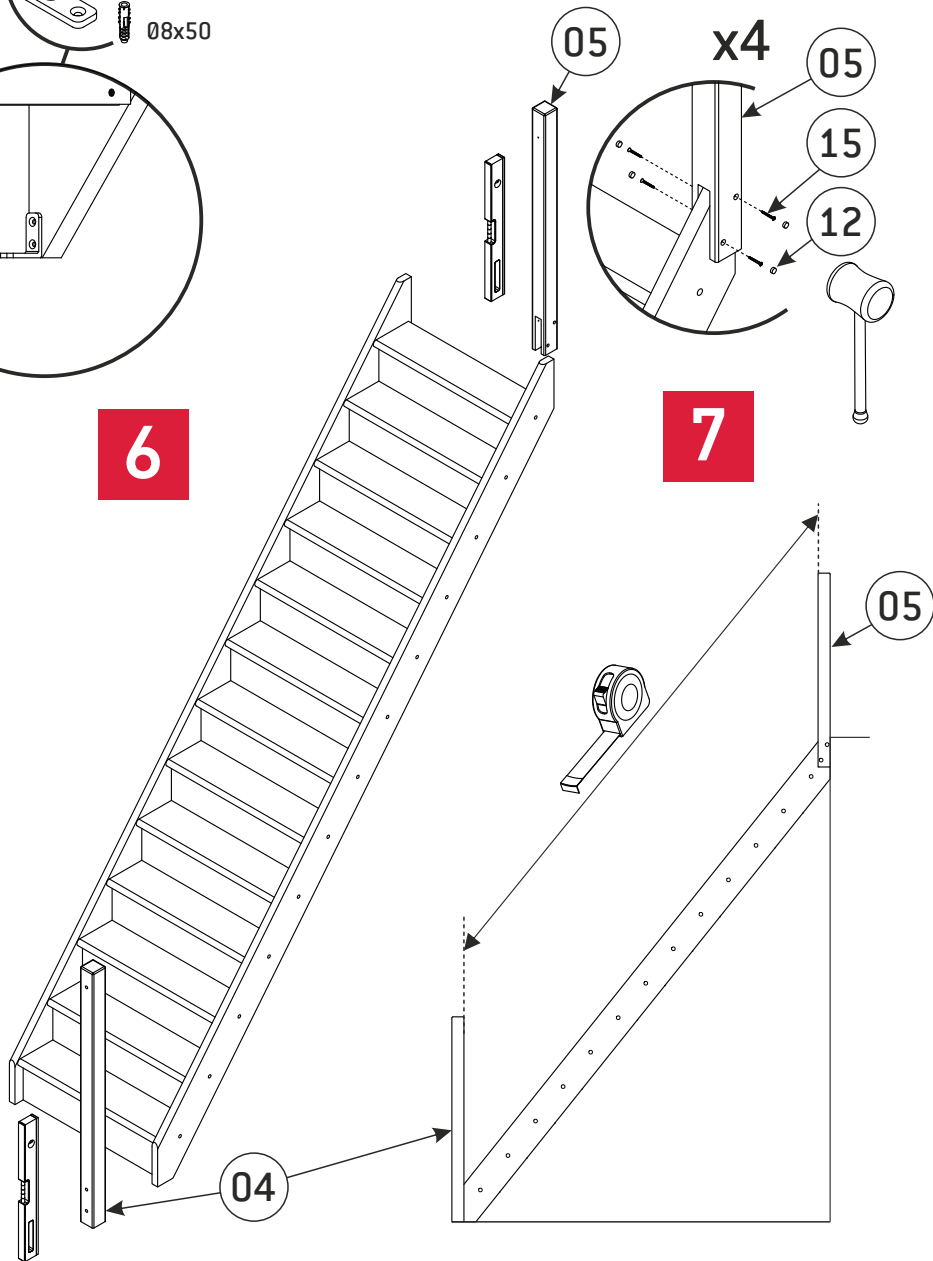
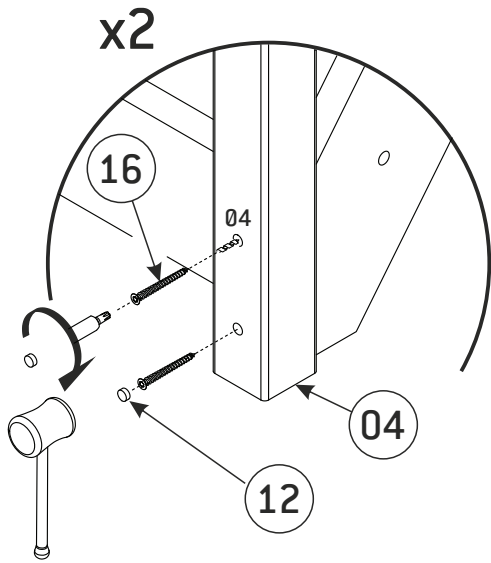


**5**

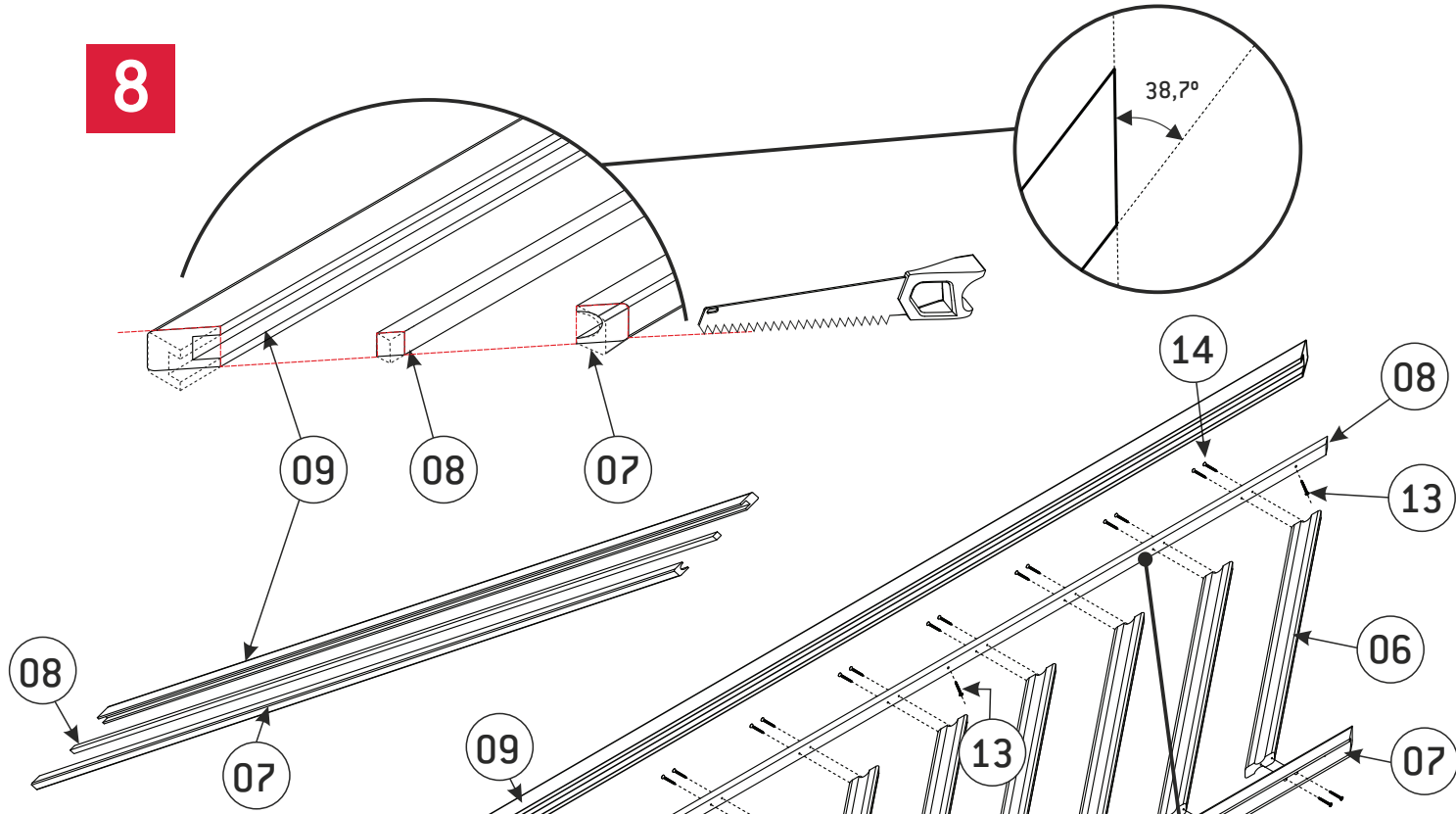


**6**

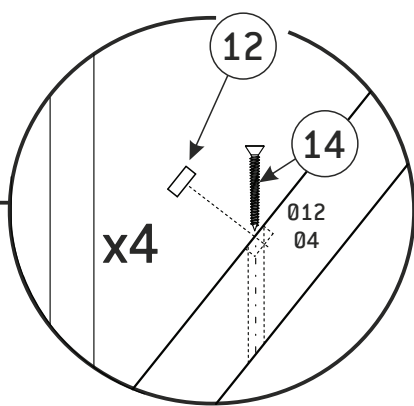
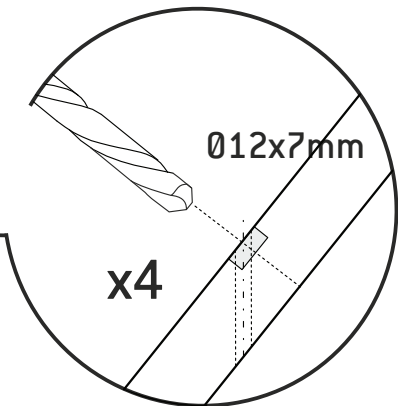
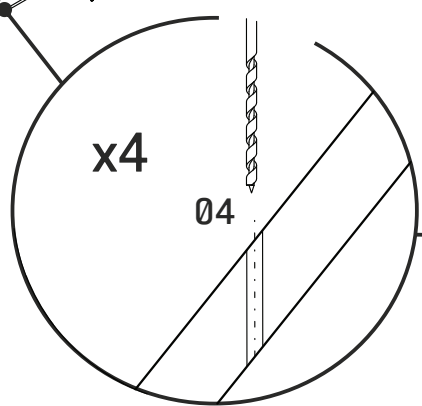
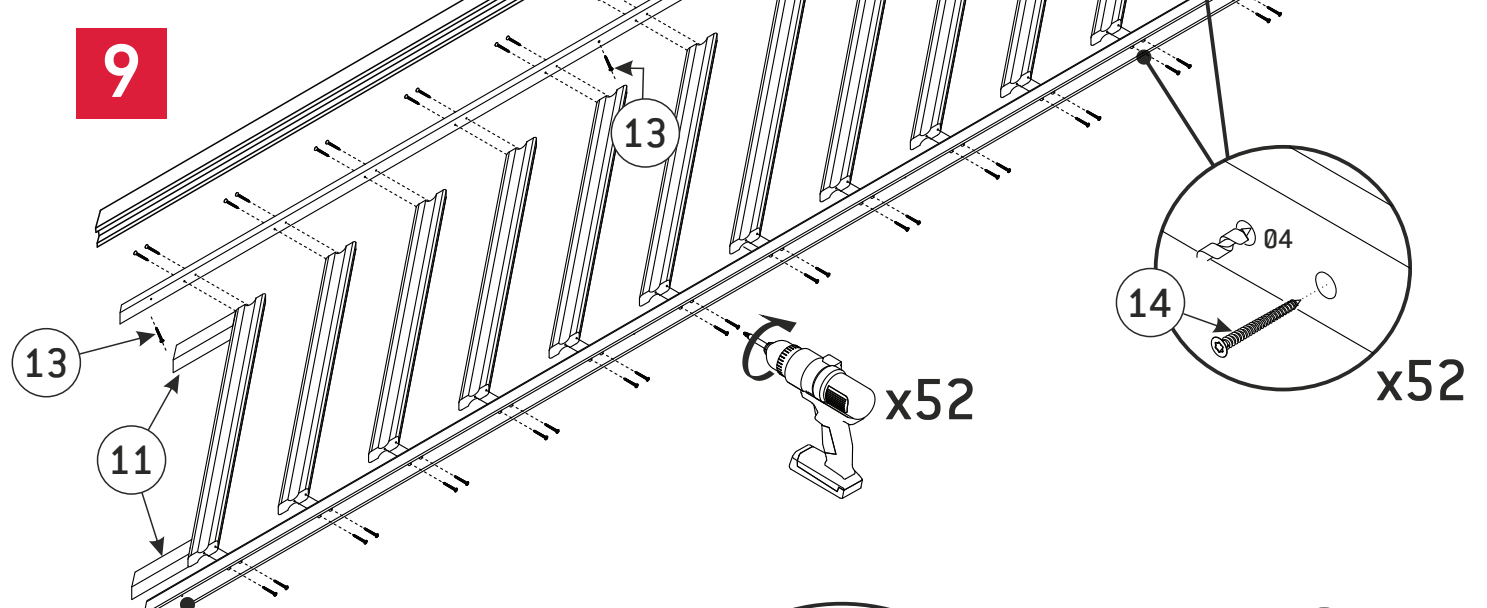
**7**



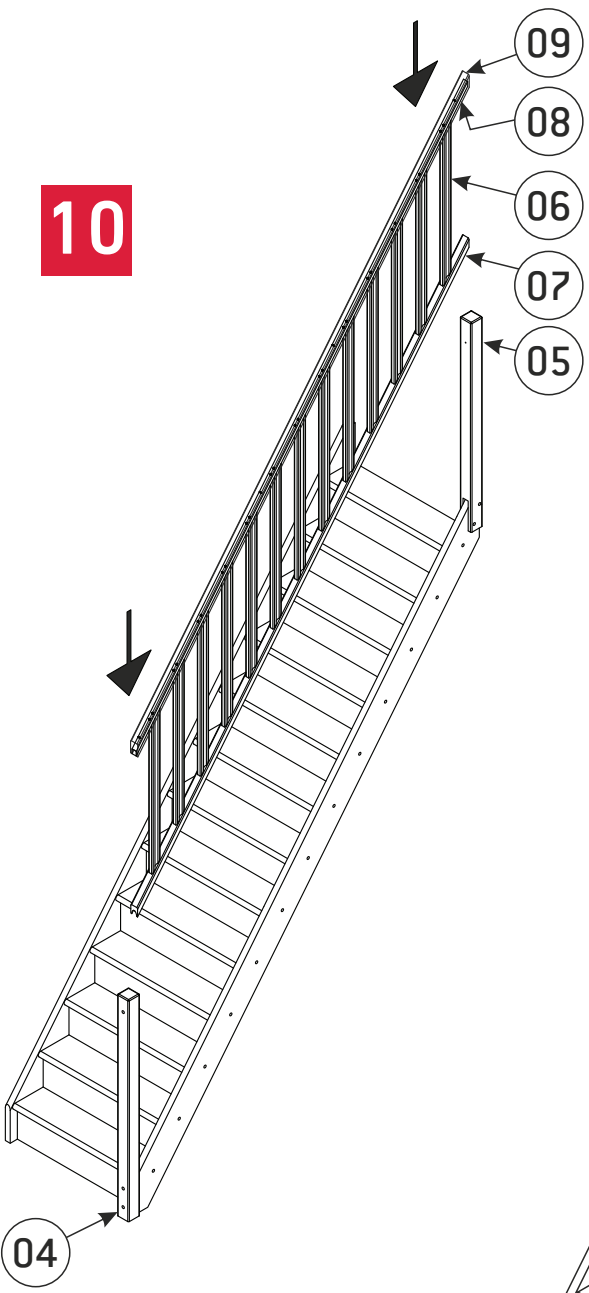
**8**



**9**



**10**



**11**

