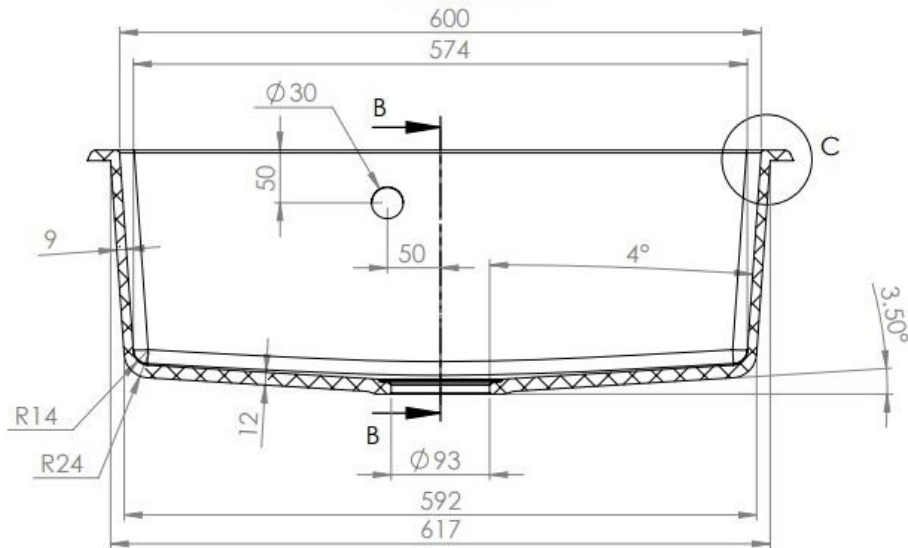
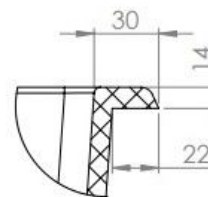
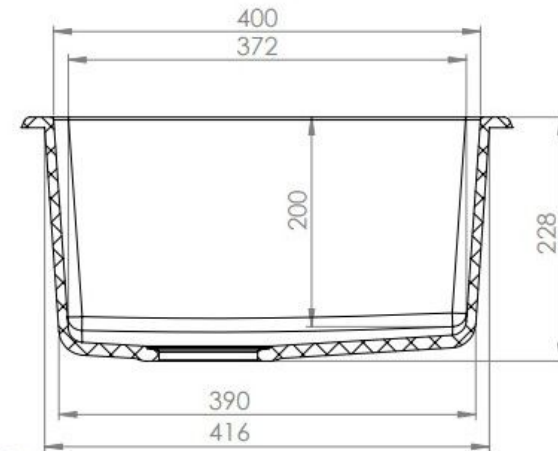


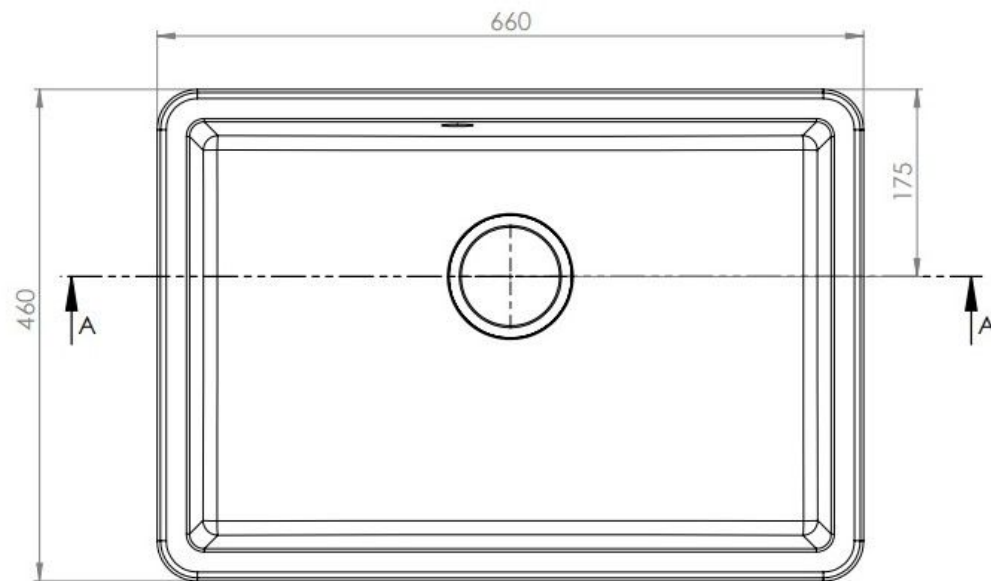
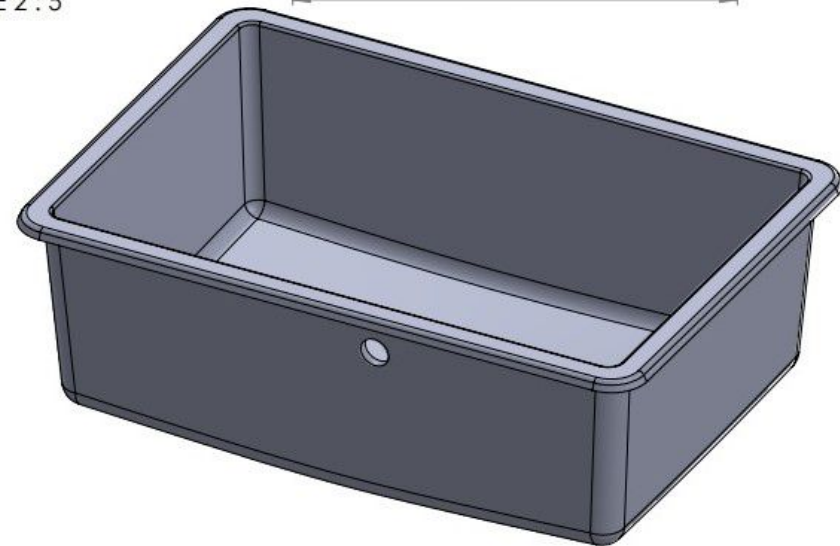
SECTION A-A



SECTION B-B



DETAIL C
SCALE 2 : 5



236

01.236