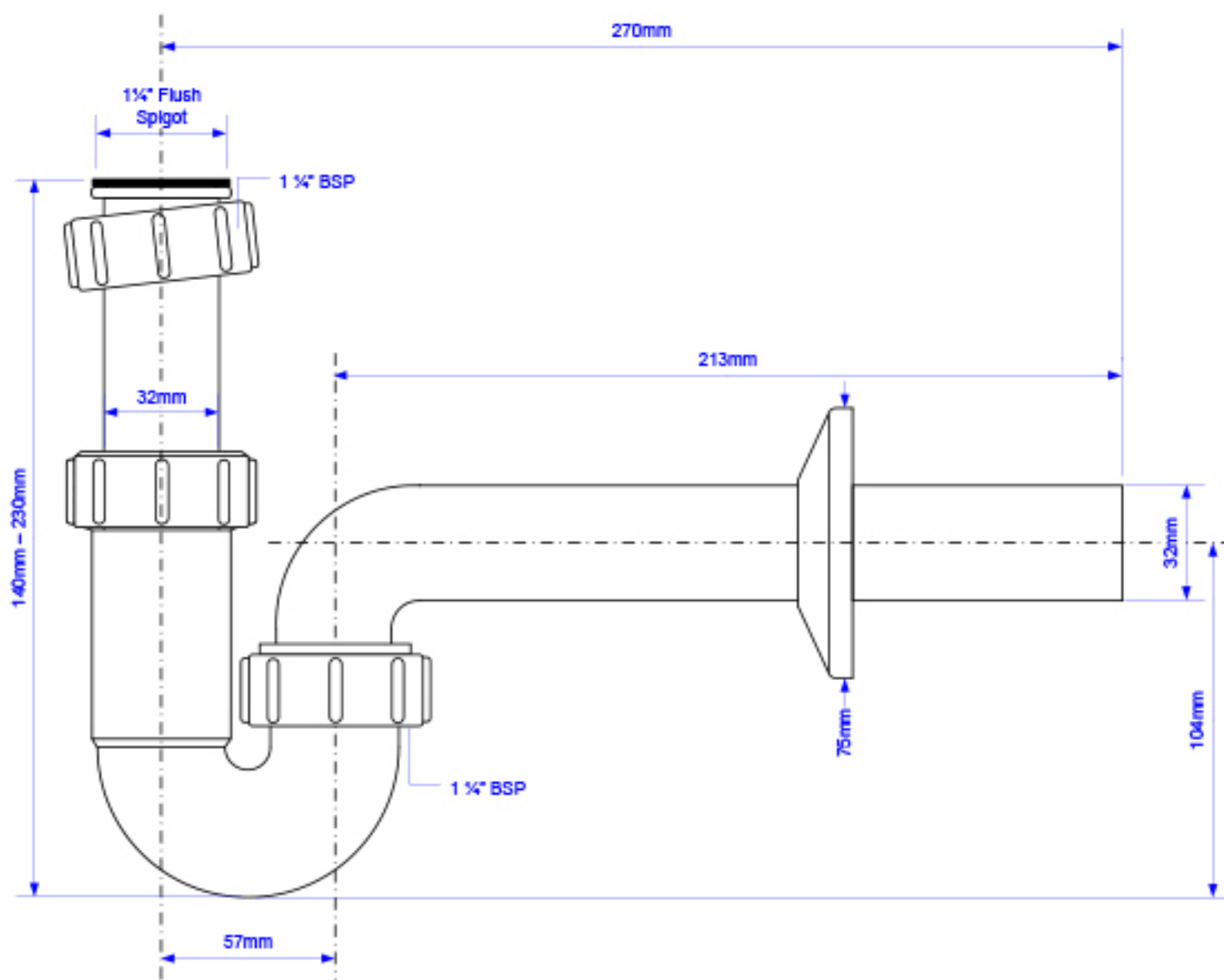


Code:

# HC4PF-32

Art. 0888 800 001



Drawing verified  
correct as of:

25.08.14  
T.C.

DRAWN BY

RM

SCALE

1: 1.75

REVISED

Show Stalk with loose nut (TC)  
Add page 2 (14.03.19 TC)

FILENAME

HC4PF-32.VSD

DATE

25.08.14