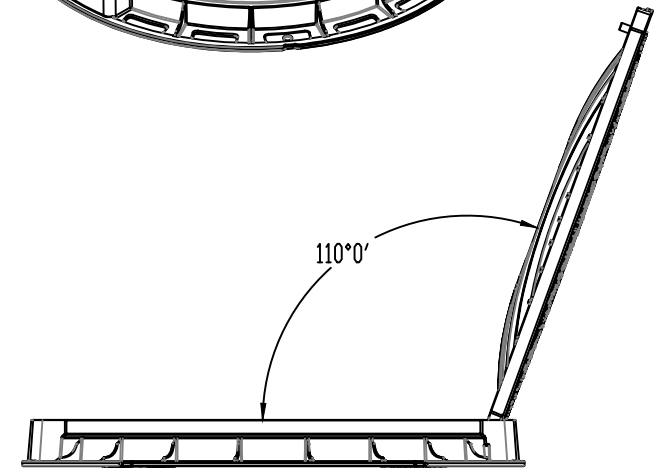
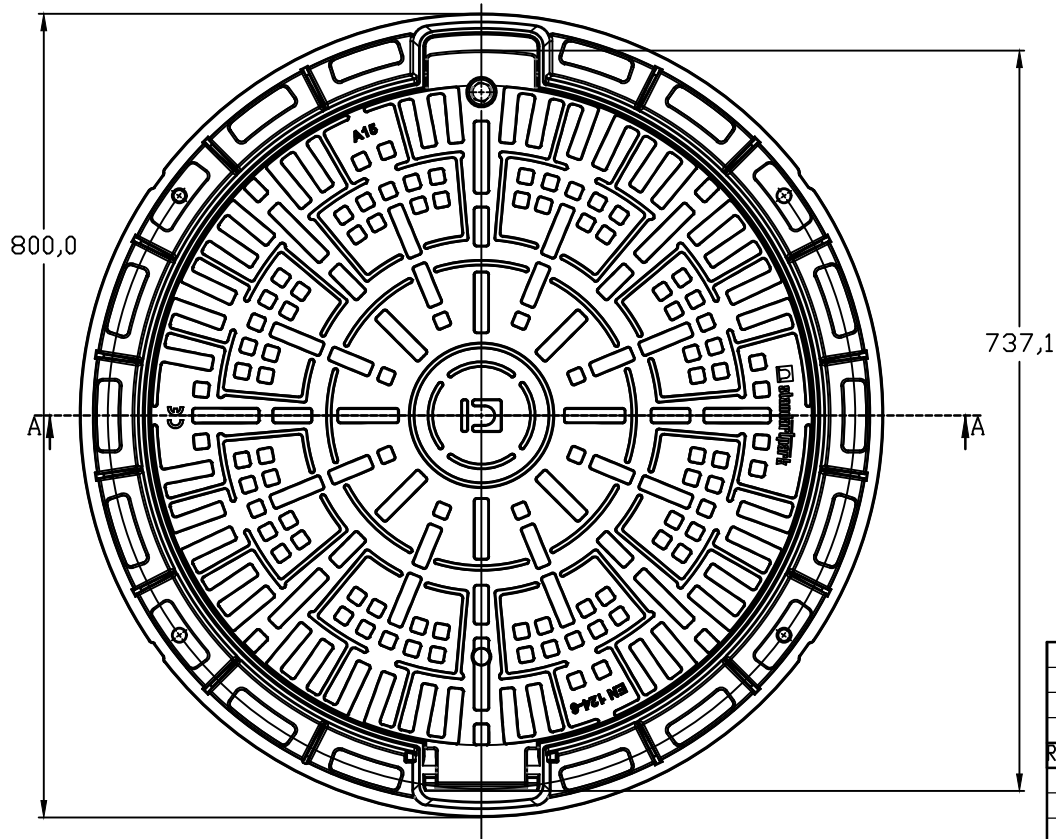
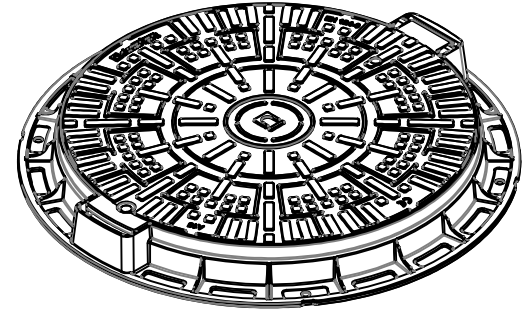
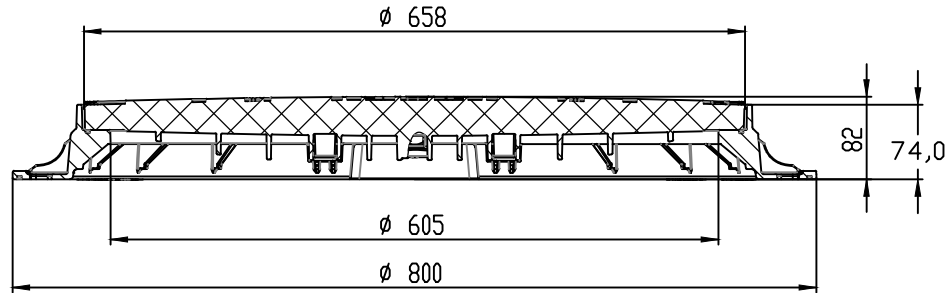


Primary Usage

Reference No.

88253

A-A



				Art. 35288			
				Plastic Manhole/Capac PP Cover Park			
Rev.	Sheet	Doc. No.	Sign.	Data	Let.	Weight	Scale
				0.05.17		6.42	1:5
					Sheet	Sheets1	
					Plastic/Polipropilena		
Contact	tehnice@standartpark.ro						