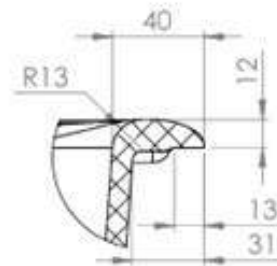
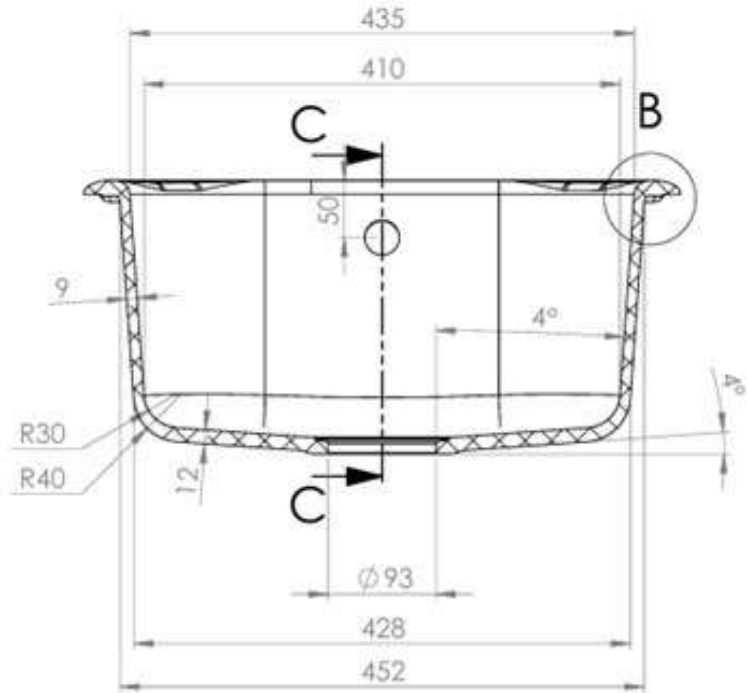


SECTION A-A



DETAIL B  
SCALE 2 : 5

SECTION C-C

