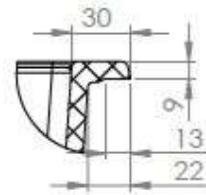
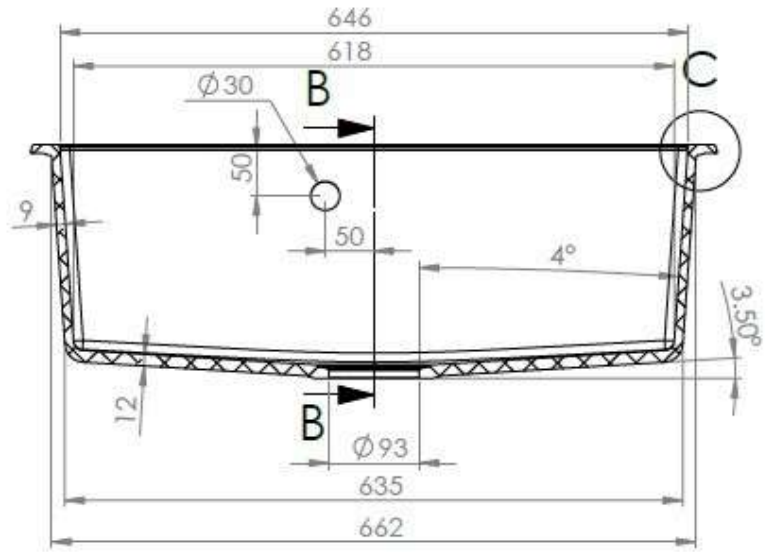


SECTION A-A



DETAIL C
SCALE 1 : 3

SECTION B-B

