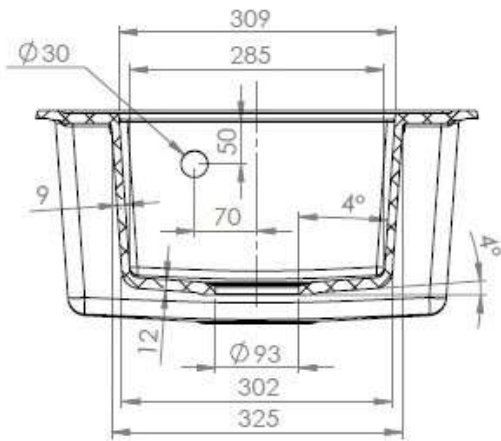
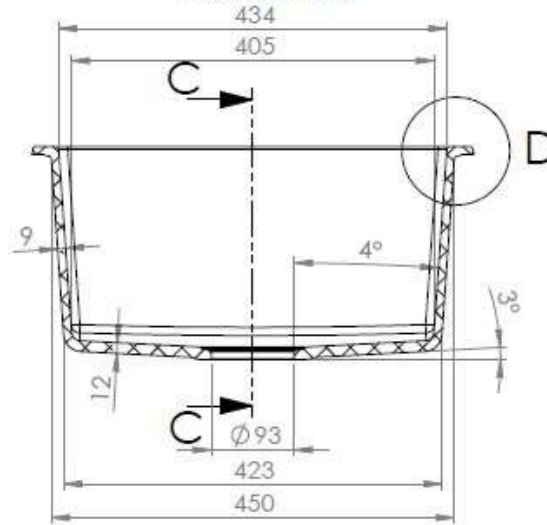


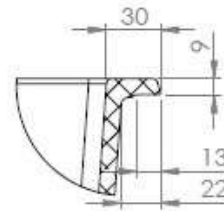
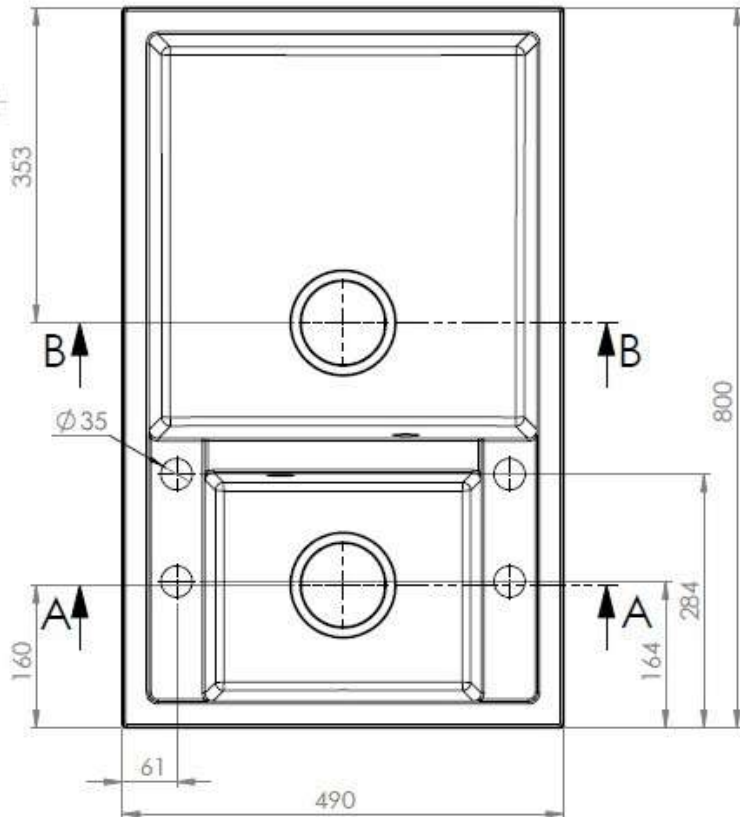
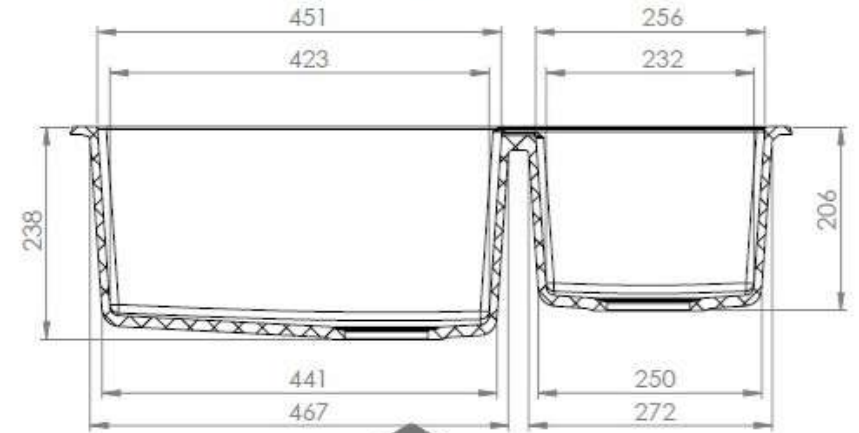
SECTION A-A



SECTION B-B



SECTION C-C



DETAIL D
SCALE 1 : 3

